

T-Angle connector clamps

Aluminium / multi part assembly

SPECIFICATION

Identification No.

No. **2**: with 6 Stainless Steel-Clamping screws DIN 912

Aluminium

plastic coated
black, RAL 9005, textured finish **SW**

blank **BL**

matt shot-blasted

Clamping bores not machined

Socket cap screws DIN 912

Stainless Steel AISI 304

Hexagon nuts DIN 985

Stainless Steel AISI 304



INFORMATION

The clamping bores of the T-Angle connector clamps GN 195 are not machined and specially designed for construction tubes GN 990 (see page 1902) or DIN 2391, DIN 2395 and DIN 2462 respectively.

The square designs are also suitable for use in **profile systems**.

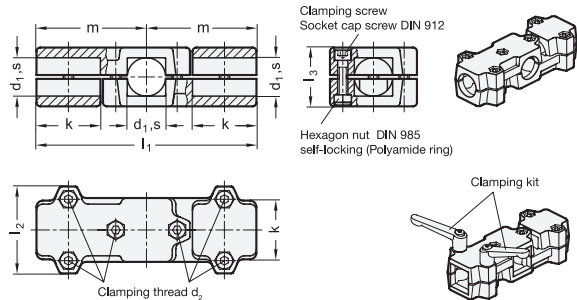
The standard clamping screws are socket cap screws DIN 912. They can be replaced by adjustable clamping kits GN 911 (see page 1874) (article code see table of dimensions).

ACCESSORY

- Clamping kits GN 911 (see page 1874)

TECHNICAL INFORMATION

- Stainless Steel characteristics (see page A26)



* Complete with colour index of the T-angle connector clamps (SW or BL)

SW **BL**
RAL9005 blank

GN 195

Description	d1	s	k	d2	l1	l2	l3	m	Clamping kits for d2	⚖
GN 195-B20-50-2-*	B 20	-	50	M 8	172	68	46	86	GN 911-M8-40	600
GN 195-B25-50-2-*	B 25	-	50	M 8	172	68	46	86	GN 911-M8-40	585
GN 195-B30-50-2-*	B 30	-	50	M 8	172	68	46	86	GN 911-M8-40	565
GN 195-B30-60-2-*	B 30	-	60	M 8	203	79	59	101.5	GN 911-M8-55	1160
GN 195-B32-60-2-*	B 32	-	60	M 8	203	79	59	101.5	GN 911-M8-55	1159
GN 195-B35-60-2-*	B 35	-	60	M 8	203	79	59	101.5	GN 911-M8-55	1109
GN 195-B40-60-2-*	B 40	-	60	M 8	203	79	59	101.5	GN 911-M8-55	1076
GN 195-B40-76-2-*	B 40	-	76	M 10	254	98	70	127	GN 911-M10-63	1590
GN 195-B42-76-2-*	B 42	-	76	M 10	254	98	70	127	GN 911-M10-63	1586
GN 195-B45-76-2-*	B 45	-	76	M 10	254	98	70	127	GN 911-M10-63	1550
GN 195-B48-76-2-*	B 48	-	76	M 10	254	98	70	127	GN 911-M10-63	1510
GN 195-B50-76-2-*	B 50	-	76	M 10	254	98	70	127	GN 911-M10-63	1470
GN 195-V20-50-2-*	-	V 20	50	M 8	172	68	46	86	GN 911-M8-40	600
GN 195-V25-50-2-*	-	V 25	50	M 8	172	68	46	86	GN 911-M8-40	565
GN 195-V30-50-2-*	-	V 30	50	M 8	172	68	46	86	GN 911-M8-40	530
GN 195-V30-60-2-*	-	V 30	60	M 8	203	79	59	101.5	GN 911-M8-55	787
GN 195-V35-60-2-*	-	V 35	60	M 8	203	79	59	101.5	GN 911-M8-55	761
GN 195-V40-60-2-*	-	V 40	60	M 8	203	79	59	101.5	GN 911-M8-55	723
GN 195-V40-76-2-*	-	V 40	76	M 10	254	98	70	127	GN 911-M10-63	1550
GN 195-V45-76-2-*	-	V 45	76	M 10	254	98	70	127	GN 911-M10-63	1480
GN 195-V50-76-2-*	-	V 50	76	M 10	254	98	70	127	GN 911-M10-63	1390

